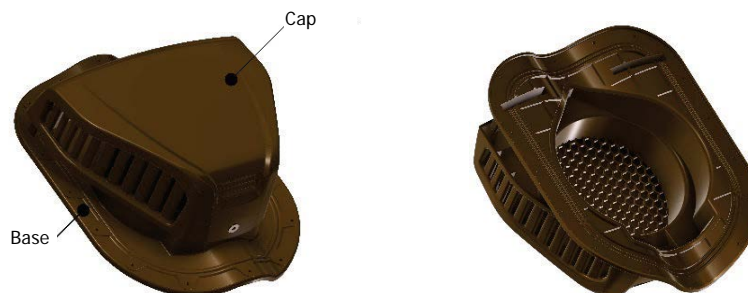
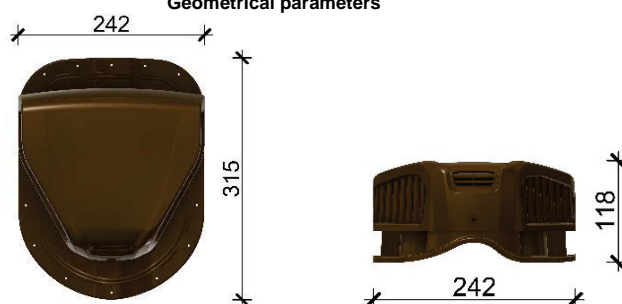


Döcke PIE MONTERREY Spot Ventilation element
1. Product description and usage.

Spot Ventilation element Döcke PIE MONTERREY serves to organize the ventilation of hot and moist air from under the pitch roof spaces, in which monterrey and supermonterrey metal roofing is used. The aerator can be installed only on the finished roofing surface. To work correctly, the air intake shall be organized through the eaves overhangs, as well as the channel through which air will flow to the product. The color range of the product is: green (analogue RR11), light brown (analogue RAL8017), red (analogue RR29), gray (analogue RR23), dark brown (analogue RR32). The product consists of: a base (a passing element), a cap, butyl sealer, a template and a set of screws in matching color.

Appearance and main parts of the product

2. Geometric parameters.

No	Indicators description, units measurements	Value
1	Length, mm	323
2	Width, mm	340
3	Height, mm	118
4	Minimum application angle, deg	12

Geometrical parameters

3. Physical and mechanical properties.

No	Indicators description, units measurements	Value
1	Total area of ventilation openings of the product, cm ²	150
2	Operating temperature range, °C	От -40 до +80
3	Impact resistance at t minus 20 °C	YES
4	UV - Resistance	YES
5	Raw materials	Polypropylene

4. Logistic characteristics.

No	Indicators description, units measurements	Value
1	Weight 1 piece, kg	0,5
2	Package weight (gross), kg	7,22
3	Package dimensions	260x330x910
4	Number of items in a package	8
5	Warranty period of storage, years	1

5. Characteristics of the completed fixture.

No	Indicators description, units measurements	Value
1	Painted roofing self-tapping screw with a press washer 4.8x35 mm and with a hexagon head 8 mm (for fixing the base)	14
2	Painted roofing self-tapping screw with a press washer 4.8x70 mm and with a hexagon head 8 mm (for fixing the base)	2
3	Painted roofing self-tapping screw with a press washer 4.8x19 mm and with a hexagon head 8 mm (for cap fixing)	1

6. Storage rules.

- Products transportation must be carried out on vehicles with covered or tilt bodies, not shorter than the length of the transported material.
- The product must be stored only in the manufacturer original packaging.
- The product must be stored in conditions that prevent moisture and direct sunlight.
- The product must be stored only in covered rooms with ventilation, at temperatures from -35 °C to +50 °C and relative humidity 50-60%.
- For long-term storage (more than 10 days), it is necessary to use pallets or shelving, while the boxes stacking height should not exceed 1,5 m.
- It is strictly forbidden to store products:
 - without packaging;
 - in direct sunlight;
 - near heating devices (at a distance of less than 1 m).

Technical support service: 8 800 100 71 45, www.docke.ru.